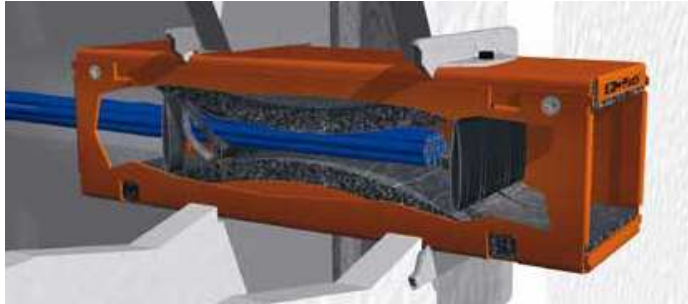


Certified mechanical firestop system

Number(s) : 250018-250058-250078-
250120-250130-250140-250170-250178-
250206-250220-250230-250340-250250-
250260-250306-250360-250370-250380-
250390-250518

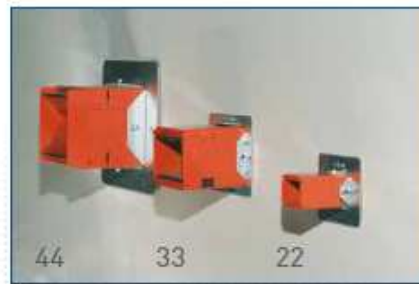





CONTENTS	PAGES
1.Range	1 to 3
2.Technical characteristics	3 to 13
3.Performance	14 to 19
4.Standard & certificates	19

1. EZ Path : range

1.1 Modules

3 dimensions





	Numbers	Description	Packaging
Modules			
	250518	EZDP 22 - KIT EZD 22 & 2 PLATES INCLUDED	6
	250018	EZD 33T -FIRESTOP MODULE EZ -PATH	6
	250058	EZD 44T- FIRESTOP MODULE MAX	4

Certified mechanical firestop system









Number(s) : 250018-250058-250078-250120-250130-250140-250170-250178-250206-250220-250230-250340-250250-250260-250306-250360-250370-250380-250390-250518

1. EZ Path : range (cont.)

1.2 Modules accessories





	Numbers	Description	Packaging
Modules accessories			
	250078	EZD 33E - EXTENSION FOR EZD 33	1
	250178	EZD 44E - EXTENSION FOR EZD44T	1
	250206	RCM 33 - DROPOUT FOR EZD 33	1
	250306	RCM 44 - DROPOUT FOR EZD44T	1

1.3 Wall installation plates

	Numbers	Description	Packaging
Wall installation accessories			
for modules 33			
	250120	EZP 233WT - 2 PLATES FOR 2 EZD 33	1
	250130	EZP 333WT - 2 PLATES FOR 3 EZD 33	1
	250140	EZP 433WT - 2 PLATES FOR 4 EZD 33	1
	250170	EZP 733WT - 2 PLATES FOR 7 EZD 33	1
	250240	EZP 133CWT - 2 CYLINDRIC PLATES FOR 1 EZD 33	1
for modules 44			
	250230	EZP 144WT- 2 PLATES FOR 1 EZD 44	1
	250250	EZP 544WT- 2 PLATES FOR 1-5 EZD 44	1
	250360	EZG444WT 2 PLATES FOR 4 EZD44T	1
	250390	EZG844WT 2 PLATES FOR 8 EZD44T	1

1. EZ Path : range (cont.)

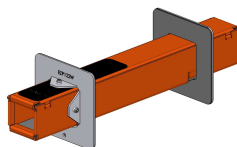
1.4 Floor installation plates

	Numbers	Description	Packaging
Floor installation accessories			
for modules 33			
	250220	EZP 133KT - 1 CYLINDRIC ADAPTOR FOR 1 EZD 33	1
for modules 44			
	250260	EZG144T - 1 ADAPTOR FOR VERTICAL INSTALLATION FOR 1 EZD 44	1
	250370	EZG444T 1 PLATE FOR 4 EZD44T	1
	250380	EZG844T 1 PLATE FOR 8 EZD44T	1

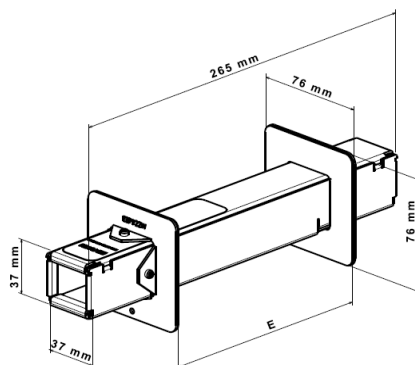
2. EZ Path : technical characteristics

2.1 Modules

2.1.1 Number 250518 : EZDP 22 – Kit EZD 22 & 2 Plates included

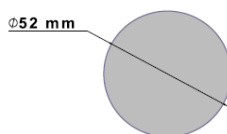


Dimensions

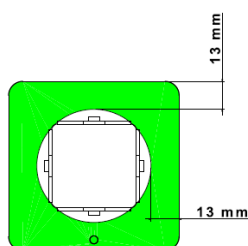


Drilling dimensions

Recommended opening size



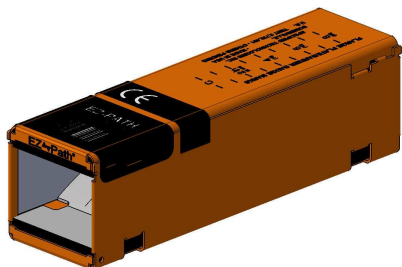
Minimum overlapping of the plate on the wall



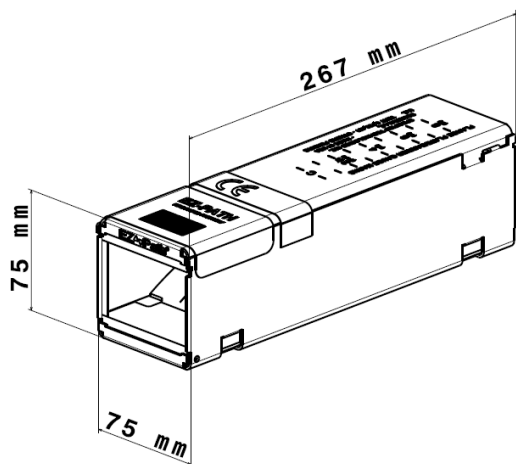
2. EZ Path : technical characteristics (cont.)

2.1 Modules

2.2.2 Number 250018 : EZD 33T - Firestop Module EZ-Path



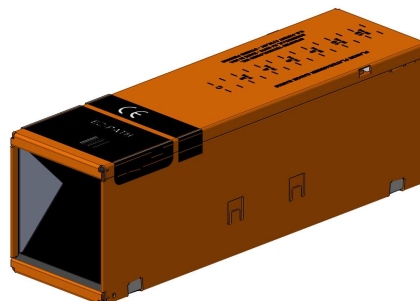
Dimensions



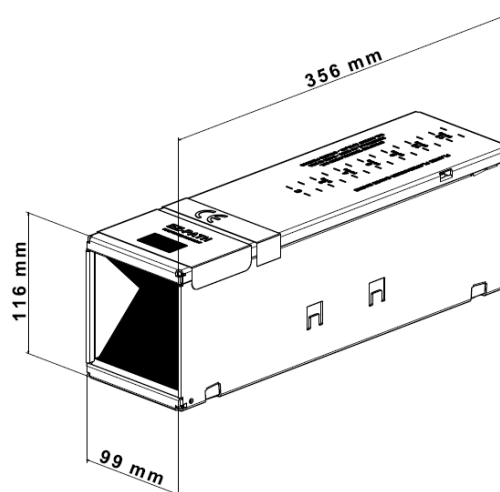
2. EZ Path : technical characteristics (cont.)

2.1 Modules

2.2.3 Number 250058 : EZD 44T - Firestop Module EZ-Path max



Dimensions



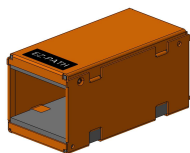
Certified mechanical firestop system

Number(s) : 250018-250058-250078-250120-250130-250140-250170-250178-250206-250220-250230-250340-250250-250260-250306-250360-250370-250380-250390-250518

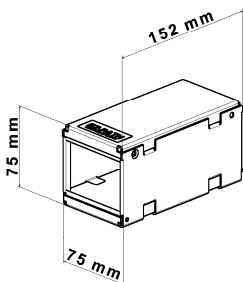
2. EZ Path : technical characteristics (cont.)

2.2 Module accessories

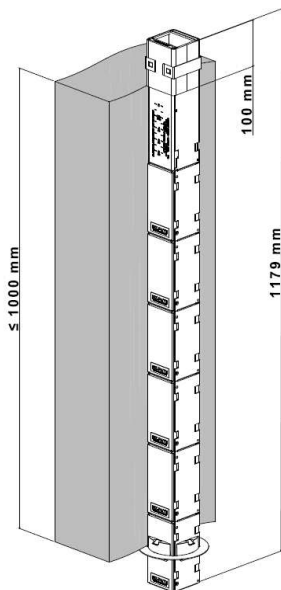
2.2.1 Number 250078 : EZD 33E - Extension for EZD 33



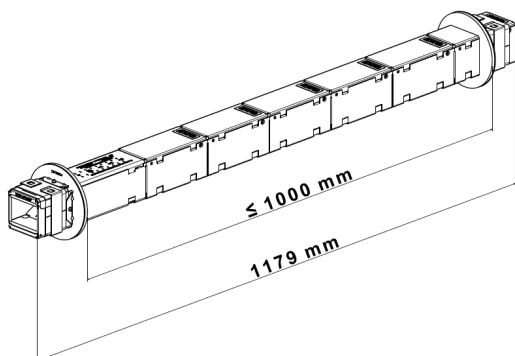
Dimensions



Vertical installation with extension :
example for floor up to 1000 mm



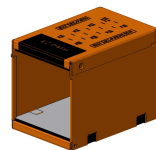
Horizontal installation with extension :
example for wall up to 1000 m



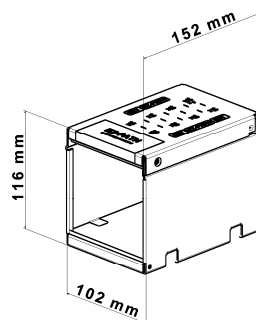
2. EZ Path : technical characteristics (cont.)

2.2 Module accessories

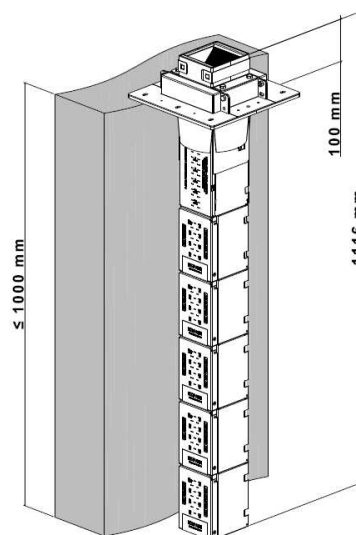
2.2.2 Number 250178 : EZD 44E - Extension for EZD 44T



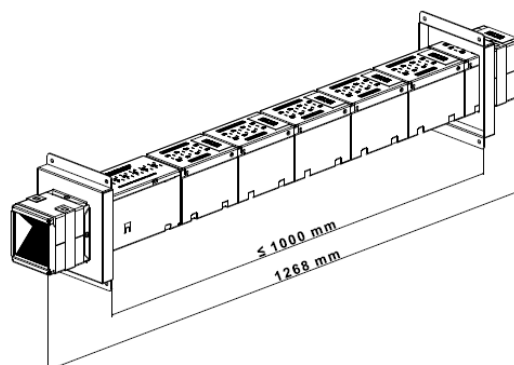
Dimensions



Vertical installation with extension :
example for floor up to 1000 mm



Horizontal installation with extension :
example for wall up to 1000 m



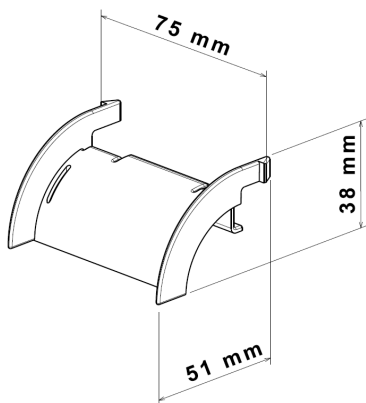
2. EZ Path : technical characteristics (cont.)

2.2 Module accessories

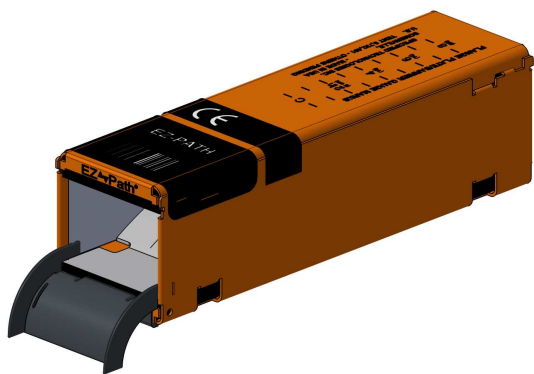
2.2.3 Number 250206 : RCM 33 - 2 dropout for EZD 33



Dimensions



Installation with extension



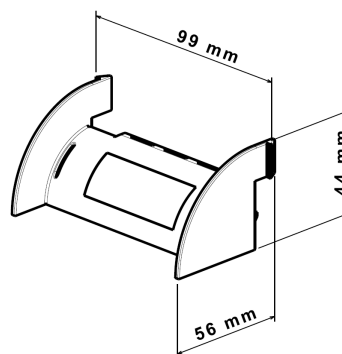
2. EZ Path : technical characteristics (cont.)

2.2 Module accessories

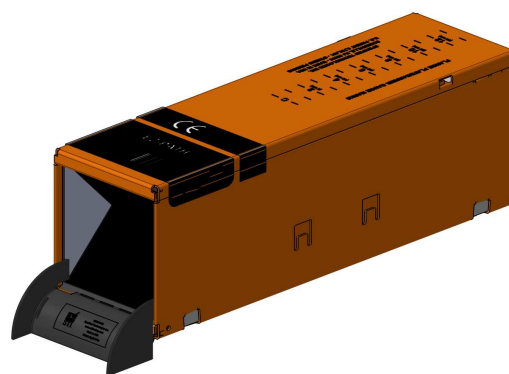
2.2.4 Number 250306 : RCM 44 - 2 dropout for EZD 44T



Dimensions



Installation with extension



Certified mechanical firestop system

Number(s) : 250018-250058-250078-250120-250130-250140-250170-250178-250206-250220-250230-250340-250250-250260-250306-250360-250370-250380-250390-250518

2. EZ Path : technical characteristics (cont.)

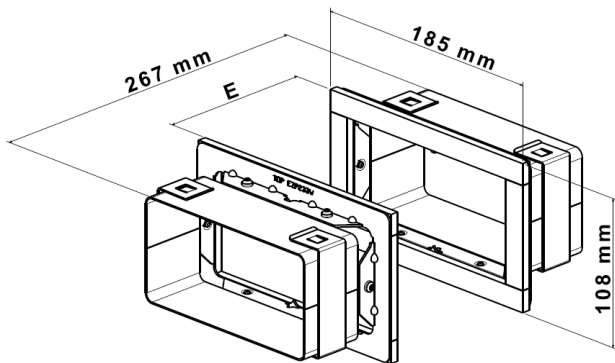
2.3 Wall installation plates

2.3.1 Plates for modules 33

Number 250120 : EZP 233WT - 2 Installation plates for 2 EZD 33

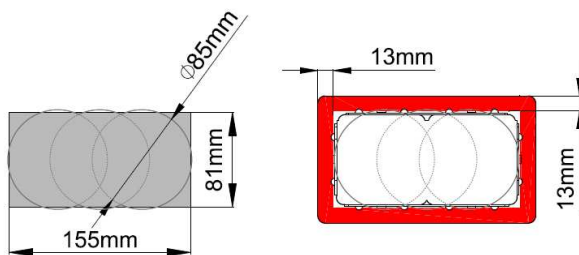


Dimensions



E : 122 mm minimum rigid walls or room dividers

Drilling dimensions



Recommended opening size

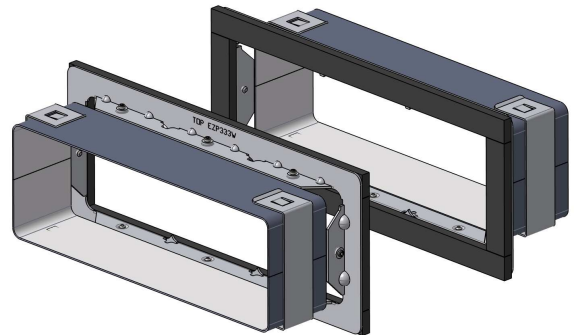
Minimum overlapping of the plate on the wall

2. EZ Path : technical characteristics (cont.)

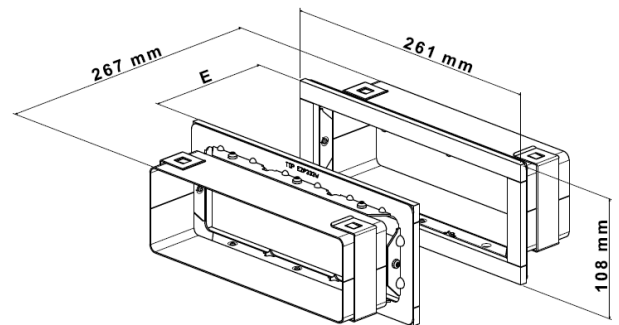
2.3 Wall installation plates

2.3.1 Plates for modules 33

Number 250130 : EZP 333WT - 2 Installation plates for 3 EZD33

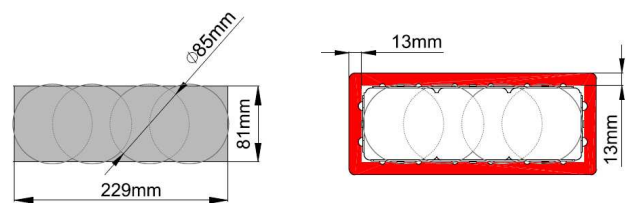


Dimensions



E : 122 mm minimum rigid walls or room dividers

Drilling dimensions



Recommended opening size

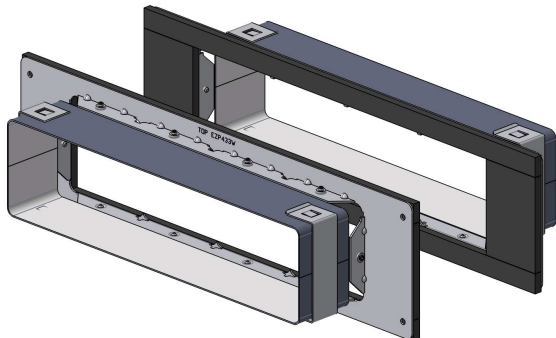
Minimum overlapping of the plate on the wall

2. EZ Path : technical characteristics (cont.)

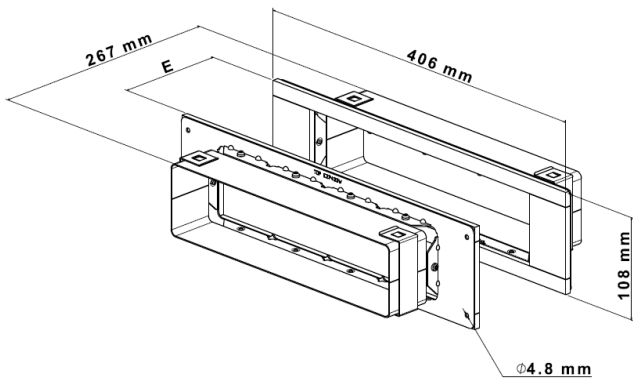
2.3 Wall installation plates

2.3.1 Plates for modules 33

Number 250140 : E-ZP 433WT - 2 Installation plates for 4 E-ZD 33



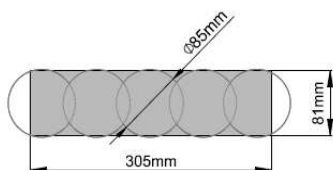
Dimensions



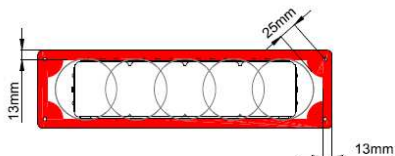
E : 122 mm minimum rigid walls or room dividers

Drilling dimensions

Recommended opening size



Minimum overlapping of the plate on the wall

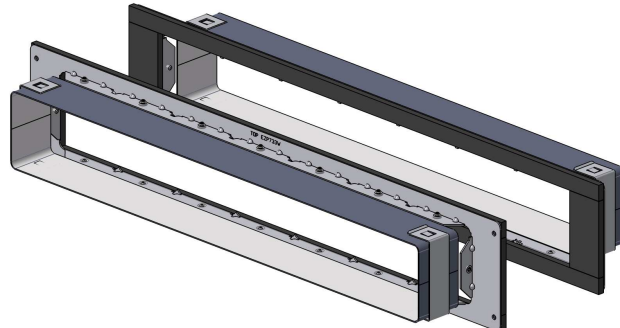


2. EZ Path : technical characteristics (cont.)

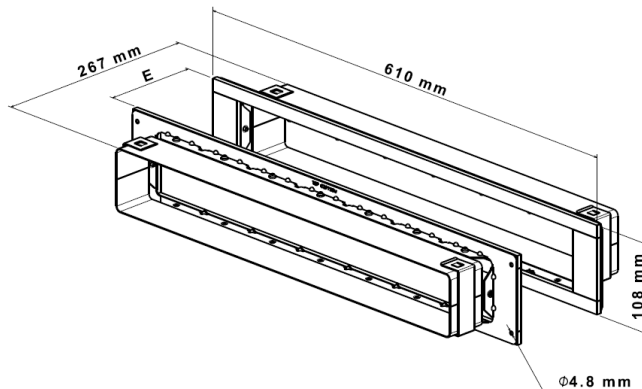
2.3 Wall installation plates

2.3.1 Plates for modules 33

Number 250170 : E-ZP 733WT - 2 Installation plates for 7 E-ZD 33



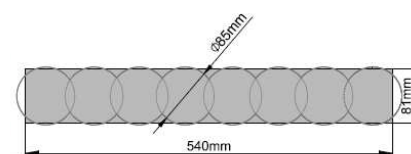
Dimensions



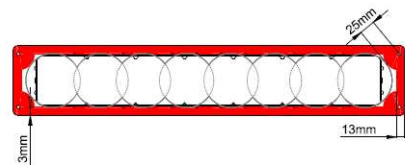
E : 122 mm minimum rigid walls or room dividers

Drilling dimensions

Recommended opening size



Minimum overlapping of the plate on the wall

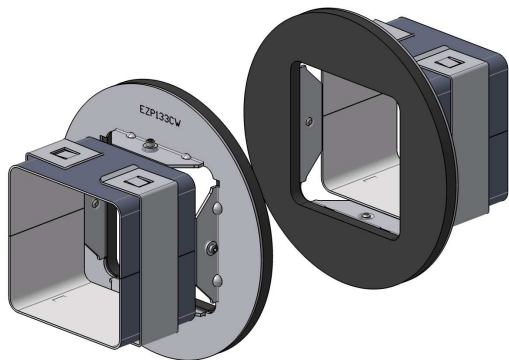


2. EZ Path : technical characteristics (cont.)

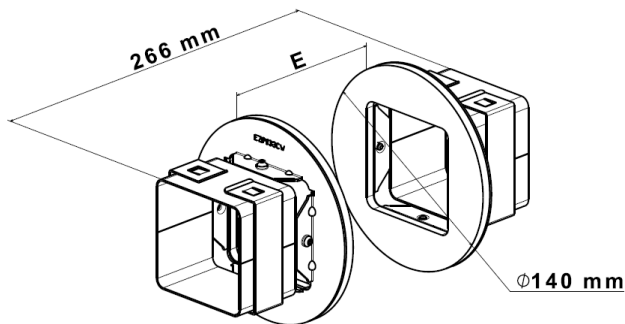
2.3 Wall installation plates

2.3.1 Plates for modules 33

Number 250240 : EZP 133CWT - 2 cylindri plates for 1 EZD 33

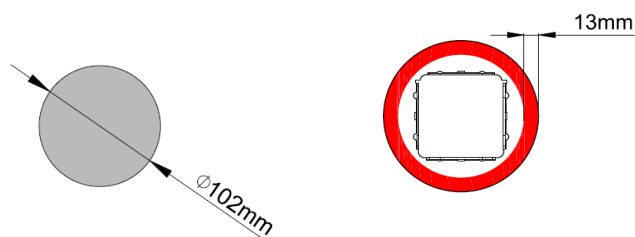


Dimensions



E : 122 mm minimum rigid walls or room dividers

Drilling dimensions



Recommended opening size

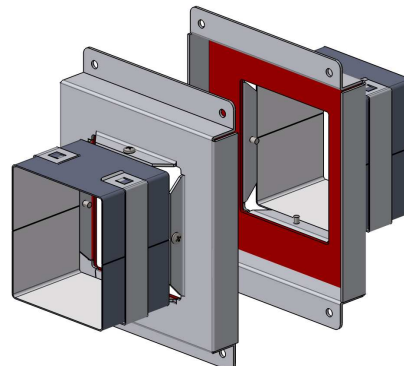
Minimum overlapping of the plate on the wall

2. EZ Path : technical characteristics (cont.)

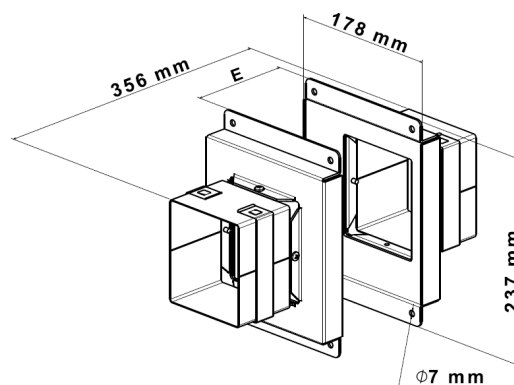
2.3 Wall installation plates

2.3.2 Plates for modules 44

Number 250230 : EZP 144WT - 2 Installation plates for 1 EZD44



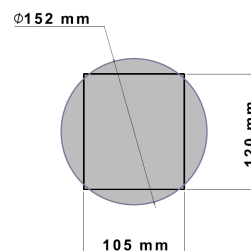
Dimensions



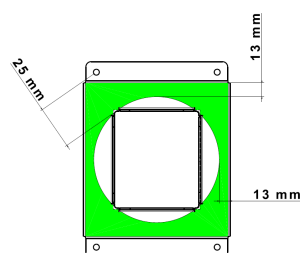
E : 122 mm minimum rigid walls or room dividers

Drilling dimensions

Recommended opening size



Minimum overlapping of the plate on the wall



Certified mechanical firestop system

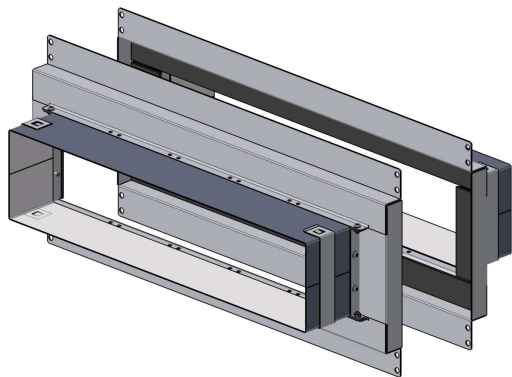
Number(s) : 250018-250058-250078-250120-250130-250140-250170-250178-250206-250220-250230-250340-250250-250260-250306-250360-250370-250380-250390-250518

2. EZ Path : technical characteristics (cont.)

2.3 Wall installation plates

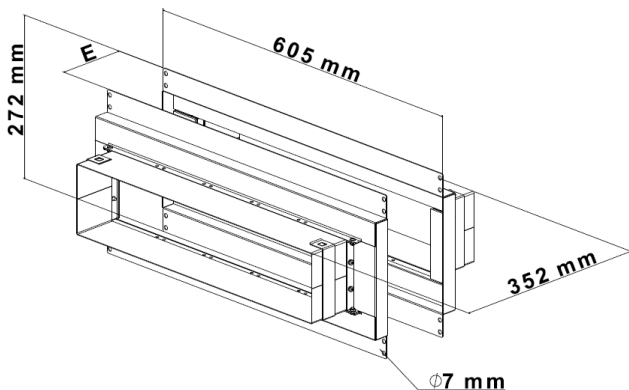
2.3.2 Plates for modules 44

Number 250250 : EZE 544WT - 2 Installation plates for 1 to 5 EZD44



Usable plate in renovation

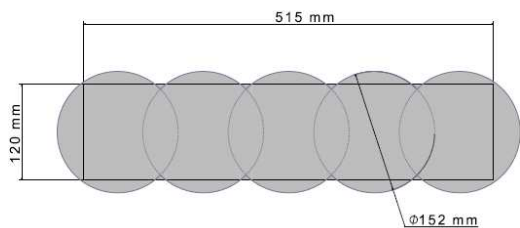
Dimensions



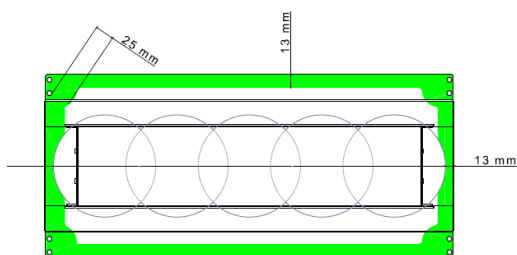
E : 122 mm minimum rigid walls or room dividers

Drilling dimensions

Recommended opening size



Minimum overlapping of the plate on the wall

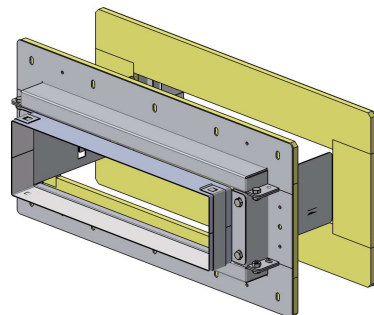


2. EZ Path : technical characteristics (cont.)

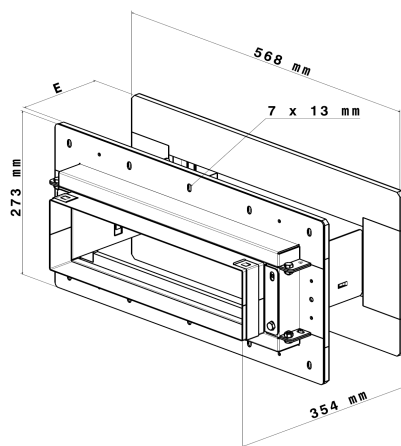
2.3 Wall installation plates

2.3.2 Plates for modules 44

Number 250360 : EZG 444WT - 2 wall installation plates for 4 EZD44T



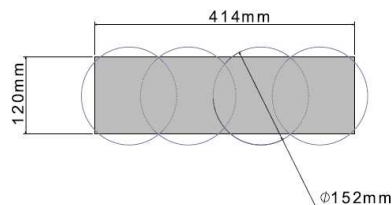
Dimensions



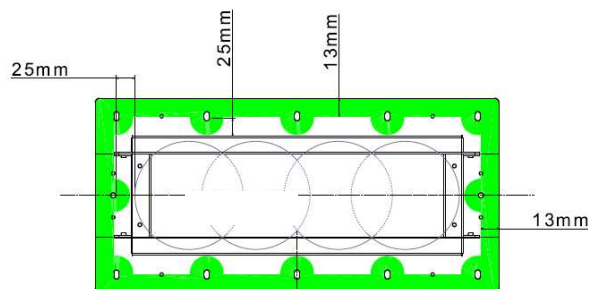
E : 122 mm minimum rigid walls or room dividers

Drilling dimensions

Recommended opening size



Minimum overlapping of the plate on the wall

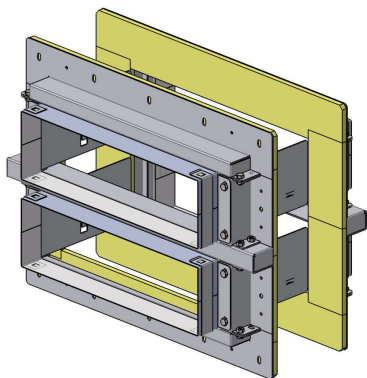


2. EZ Path : technical characteristics (cont.)

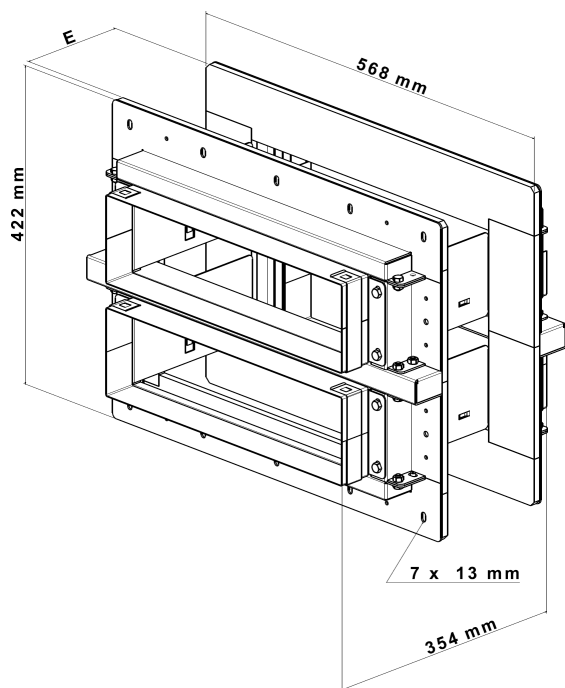
2.3 Wall installation plates

2.3.2 Plates for modules 44

Number 250390 : EZG 844WT - 2 wall installation plates for 8 EZD44T



Dimensions



E : 122 mm minimum rigid walls or room dividers

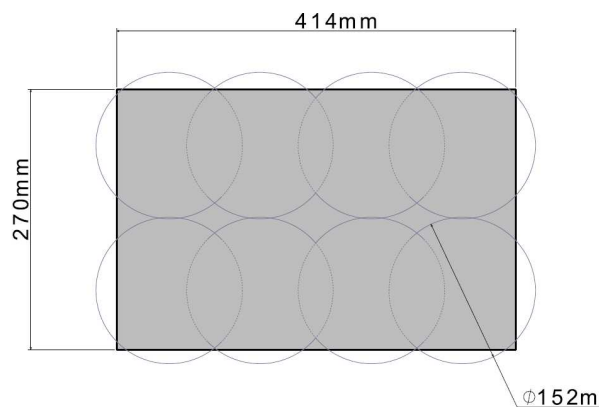
2. EZ Path : technical characteristics (cont.)

2.3 Wall installation plates

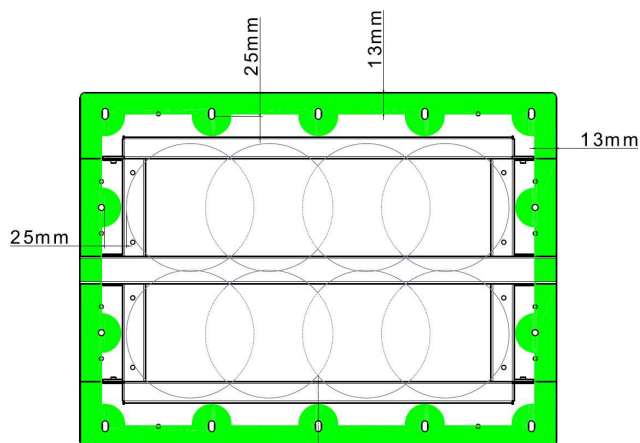
2.3.2 Plates for modules 44

Drilling dimensions

Recommended opening size



Minimum overlapping of the plate on the wall



Certified mechanical firestop system

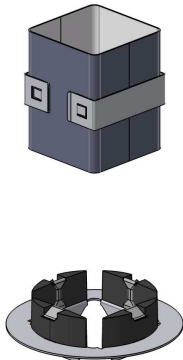
Number(s) : 250018-250058-250078-250120-250130-250140-250170-250178-250206-250220-250230-250340-250250-250260-250306-250360-250370-250380-250390-250518

2. EZ Path : technical characteristics (cont.)

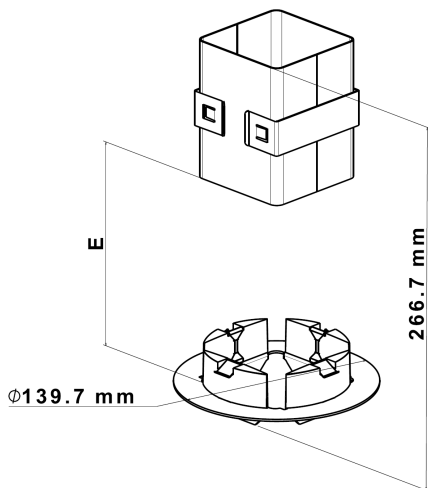
2.4 Floor installation plates

2.4.1 Plates for modules 33

Number 250220 : EZP 133KT - 1 cylindric adaptor for 1 EZD 33

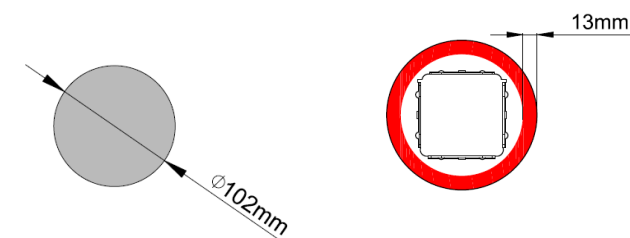


Dimensions



E : 150 mm minimum for floor

Drilling dimensions



Recommended opening size

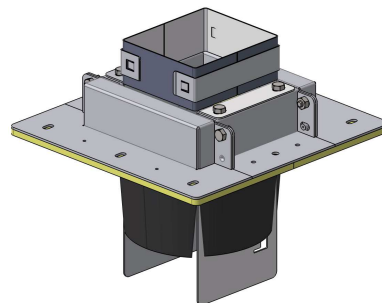
Minimum overlapping of the plate on the floor

2. EZ Path : technical characteristics (cont.)

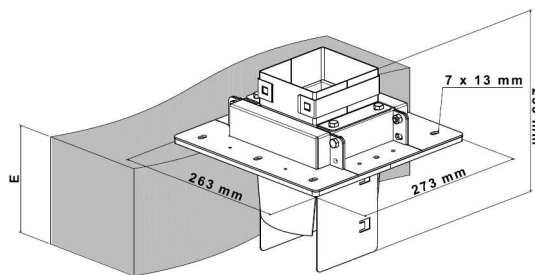
2.4 Floor installation plates

2.4.2 Plates for modules 44

Number 250260 : EZG 144T - 1 vertical installation adaptor for 1 EZD 44



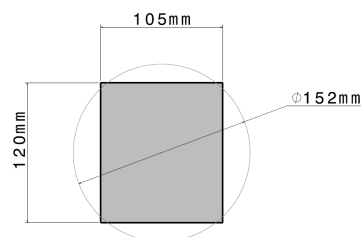
Dimensions



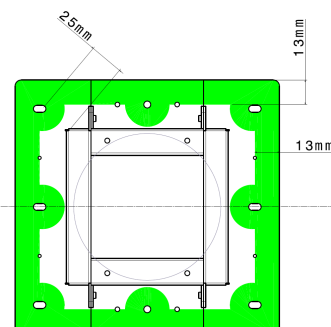
E : 150 mm minimum for floor

Drilling dimensions

Recommended opening size



Minimum overlapping of the plate on the floor

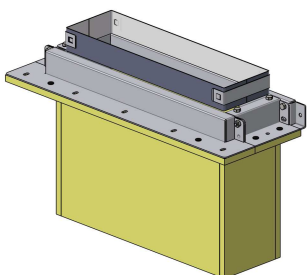


2. EZ Path : technical characteristics (cont.)

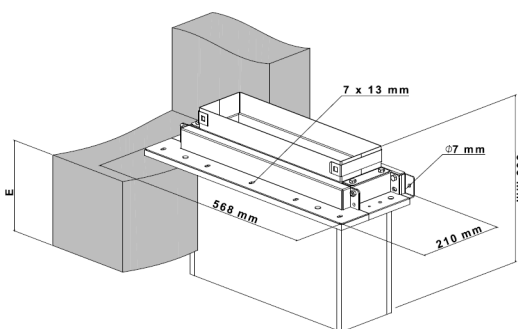
2.4 Floor installation plates

2.4.3 Plates for modules 44

Number 250370 : EZG 444T - 1 floor installation plate for 4 EZD44T



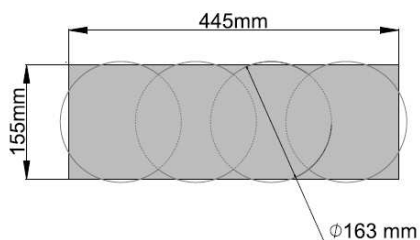
Dimensions



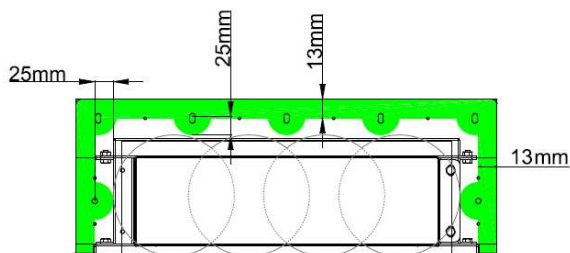
E : 150 mm minimum for floor

Drilling dimensions

Recommended opening size



Minimum overlapping of the plate on the floor

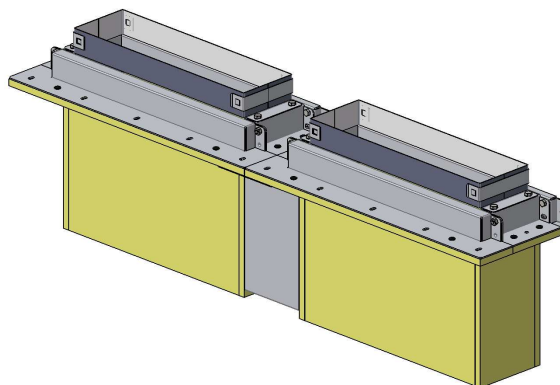


2. EZ Path : technical characteristics (cont.)

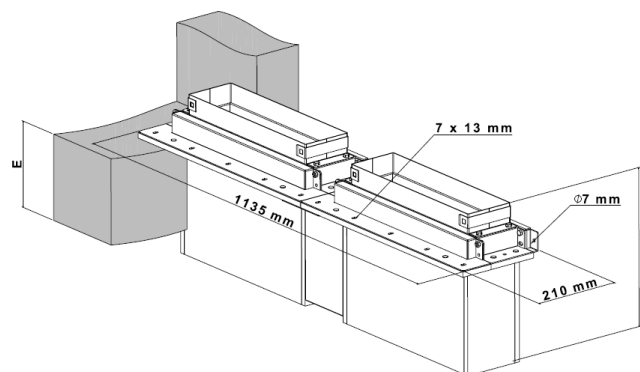
2.4 Floor installation plates

2.4.3 Plates for modules 44

Number 250380 : EZG 844T - 1 floor installation plate for 8 EZD44T



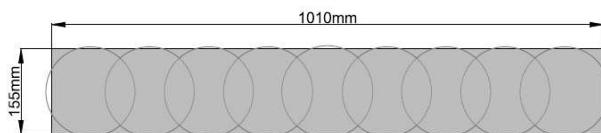
Dimensions



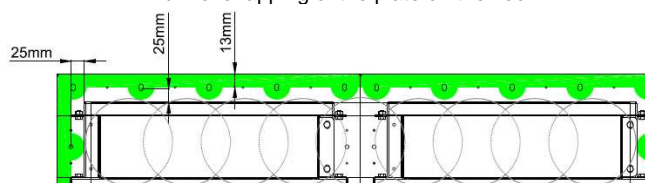
E : 150 mm minimum for floor

Drilling dimensions

Recommended opening size



Minimum overlapping of the plate on the floor



3. EZ Path : performance

3.1 Fire resistance

Extract from Performance Declaration nr 6 1003/A-FR page 1

DECLARATION DES PERFORMANCES

n° 6 1003/A-FR

Règlement (EU) 305/2011

1. Code d'identification unique du produit type:

EZ-Path® (Séries 33 and Séries 44+)

2. Numéro de type, de lot ou de série ou tout autre élément permettant l'identification du produit de construction, conformément à l'article 11, paragraphe 4 :

EZD33, EZP133/233/33/433/733/WT, EZP133KT, EZP133CWT, EZD 44T, EZP144/544WT, EZG444/844/WT
EZG144/444/844/T

3. Usage ou usages prévus du produit de construction, conformément à la spécification technique harmonisée applicable, comme prévu par le fabricant:

Système de calfeutrement de pénétrants électriques pour maintenir la résistance au feu d'un élément de séparation selon ETA-13/0993

4. Nom, raison sociale ou marque déposée et adresse de contact du fabricant, conformément à l'article 11, paragraphe 5 :

LEGRAND SNC, 128, Avenue de Lattre-de-Tassigny - 87045 LIMOGES Cedex – France

5. Nom et adresse de contact du mandataire dont le mandat couvre les tâches visées à l'article 12, paragraphe 2:

Non applicable

6. Le ou les systèmes d'évaluation et de vérification de la constance des performances du produit de construction, conformément à l'annexe V :

Système 1

7. Dans le cas de la déclaration des performances concernant un produit de construction couvert par une norme harmonisée :

Non applicable

8. Dans le cas de la déclaration des performances concernant un produit de construction pour lequel une évaluation technique européenne a été délivrée :

UL International (UK) LTD a délivré l'Agrément Technique Européen ETA-13/0993 sur la base de l'ETAG n° 026-1 et 026-2, a effectué les tâches de tierce partie figurant à l'annexe V pour le système 1 et a délivré le certificat de conformité 0843-CPD-0149.

9. Performances déclarées :

Caractéristiques essentielles	Performances	Spécifications techniques harmonisées
Réaction au feu	Classe E	EN 13501-1
Résistance au feu	Voir ETA-13/0993 annexe 3	EN 13501-2
Substances dangereuses	Aucune substance dangereuse	ETA-13/0993, § 2.5
Durabilité et aptitude à l'usage	Y2	ETA-13/0993, § 2.12

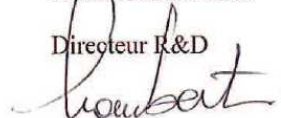
10. Les performances du produit identifié aux points 1 et 2 sont conformes aux performances déclarées indiquées au point 9. La présente déclaration des performances est établie sous la seule responsabilité du fabricant identifié au point 4.

Sillé le Guillaume, 01/07/2013

Page 1/1

Norma BERTACCI

Directeur R&D



3. EZ Path : performance (cont.)

3.1 Fire resistance

Extract from Performance Declaration nr 6 1003/A-FR page 14

ANNEX 1 – Supporting Constructions

EZ-Path Fire Rated Pathway (Series 33 and Series 44+) may be used to provide a penetration seal in the following specific elements of construction:

Flexible walls:	<ul style="list-style-type: none">● shall comprise timber or steel studs lined on both faces with boards of an overall thickness of minimum 30 mm, two layers. For timber stud walls there must be a minimum distance of 100 mm of the seal to any stud and the cavity between stud and seal must be closed and minimum 100 mm insulation of Class A1 or A2 (in accordance with EN 13501-1) in the cavity between stud and seal.● thickness > 122 mm
Rigid walls:	<ul style="list-style-type: none">● concrete, aerated concrete, reinforced concrete or masonry● density > 650 kg/m³.● thickness > 122 mm (see Annex 3 Resistance to fire classification)
Rigid floors:	<ul style="list-style-type: none">● concrete, aerated concrete or reinforced concrete● density > 650 kg/m³.● thickness > 150 mm

3. EZ Path : performance (cont.)

3.1 Fire resistance

STANDARD APPLICATIONS

DEFINITION

The fire rating of a product is measured by the lower of the following two values:

- Its seal (E) i.e. the period (min) for which it stops the flames passing
- Its Integrity (I) i.e. the period (min) for which it limits the temperature rise to 180°C

Extract from Performance Declaration nr 6 1003/A-FR page 24

ANNEX 3 – Resistance to Fire Classification

Min 122 mm thick flexible or rigid wall					
Configuration No.	Item A		Item B	Item E	Resistance to Fire Classification
	Penetration Seal / Pathway	Penetration seal configuration	Plate or Grid Kit	Penetrating Service / cables	
1	Series 33	From one to seven gang pathways	EZP133WT EZP133CWT EZP233WT EZP333WT EZP433WT EZP733WT	Maximum Ø21 mm electrical or telecommunication cables	EI 120
				Blank (no services)	
				Maximum Ø50 mm electrical cables	EI 60 ¹⁾
3	Series 44+	Single pathway	EZP144WT	Maximum Ø21 mm electrical or telecommunication cables	EI 120
				Blank (no services)	
				Maximum Ø80 mm electrical cables	EI 120 ²⁾
3	Series 44+	From one to five gang pathways	EZP544WT	Maximum Ø21 mm telecommunication cables	EI 120 ²⁾
				Blank (no services)	
				Maximum Ø80 mm electrical cables	

See installation instruction from manufacturer for more details:

- ¹⁾ Requires intumescent paper to be wrapped around cable larger than Ø21 mm
- ²⁾ Requires cable tray in association with cable tray cover and intumescent paper sheet to be installed on both sides of wall

3. EZ Path : performance (cont.)

3.1 Fire resistance

Extract from Performance Declaration nr 6 1003/A-FR page 25

Min 150 mm thick rigid wall					
Configuration No.	Item A		Item B	Item E	Resistance to Fire Classification
	Penetration Seal / Pathway	Penetration seal configuration	Plate or Grid Kit	Penetrating Service / cables	
1	Series 33	From one to seven gang pathways	EZP133WT EZP133CWT EZP233WT EZP333WT EZP433WT EZP733WT	Maximum Ø21 mm electrical or telecommunication cables	EI 120
				Blank (no services)	
				Maximum Ø50 mm electrical cables	EI 60
3	Series 44+	From one to five gang pathways	EZP144WT EZP544WT	Maximum Ø21 mm electrical or telecommunication cables	EI 120
				Blank (no services)	
				Maximum Ø80 mm electrical cables	EI 120 ²⁾
4	Series 44+	Four or eight gang pathways	EZG444T EZG844T	Maximum Ø21 mm telecommunication cables	EI 120 ^{2) 3)}
				Blank (no services)	
				Maximum Ø50 mm electrical cables	

See installation instruction from manufacturer for more details:

- ²⁾ Requires cable tray in association with cable tray cover and intumescent paper sheet to be installed on both sides of wall
- ³⁾ Requires annular space of opening to be filled with regular construction mortar

3. EZ Path : performance (cont.)

3.1 Fire resistance

Extract from Performance Declaration nr 6 1003/A-FR page 26

Min 150 mm thick rigid floor					
Configuration No.	Item A		Item B	Item E	Resistance to Fire Classification
	Penetration Seal / Pathway	Penetration seal configuration	Plate or Grid Kit	Penetrating Service / cables	
2	Series 33	Single pathway	EZP133KT	Maximum Ø21 mm electrical or telecommunication cables	EI 120 ³⁾
				Blank (no services)	
5	Series 44+	Single pathway	EZG144T	Maximum Ø21 mm telecommunication cables	EI 120 ²⁾
				Blank (no services)	
				Maximum Ø50 mm electrical cables	EI 90 ²⁾
6	Series 44+	Four or eight gang pathways	EZG444T EZG844T	Maximum Ø80 mm electrical cables	EI 120 ²⁾
				Maximum Ø21 mm telecommunication cables	
				Blank (no services)	
				Maximum Ø80 mm electrical cables	

See installation instruction from manufacturer for more details:

- ²⁾ Requires cable tray in association with cable tray cover and intumescent paper sheet to be installed on top side of floor
- ³⁾ Requires annular space of opening to be filled with regular construction mortar

3. EZ Path : performance (cont.)

3.2 Leakage area

AUTOMATIC GAS EXTINGUISHING SYSTEMS

Depending on the jurisdiction: NFPA 2001, ISO14520, or EN15004 which sets the test requirements for gas fire safety installations.

Rate and leakage area:

	EZD 33 empty		100% full	
	m ³ /h	EqLA cm ²	m ³ /h	EqLA cm ²
10 Pa	0.01	0.01	0.14	0.16
25 Pa	0.01	0.01	0.5	0.35
50 Pa	0.01	0.02	1.29	0.64
75 Pa	0.01	0.04	2.23	0.91

	EZD 44 empty		100% full	
	m ³ /h	EqLA cm ²	m ³ /h	EqLA cm ²
10 Pa	1.57	1.86	1.45	1.62
25 Pa	2.80	1.98	3.86	2.75
50 Pa	4.14	2.07	8.11	4.05
75 Pa	5.21	2.18	12.52	5.10

The constant performance levels of the EZ-Path® system provide not only fire protection but also a seal against smoke and inhibitory/inert gases, without requiring any human caulking operations.

3.3 Acoustic performance

> ACOUSTIC BARRIER

The STC Rating (Sound Transmission Class) defines the acoustic seal of firestop products in accordance with standard ASTM E90.

The sound attenuation of EZ-Path® modules is 45 dB.

3. EZ Path : performance (cont.)

3.4 Cabling capacity

Cable diameter (mm)	Maximum number of cables		
	EZD22	EZD33	EZD44T
3	70	368	868
3.5	54	266	648
4	35	204	483
4.5	28	165	399
5	24	130	323
5.5	20	108	255
6	15	88	210
6.5	12	70	182
7	12	63	156
8	6	48	110
9	6	35	90
12.5	2	20	42
15	2	12	30
18	1	6	20
20	1	6	16
25	0	4	9
30	0	2	6
35	0	2	4

4. Standard and certificates

> RESULTS ACCORDING TO THE STANDARDS:

Area	Standard	Rating
Europe	CE marking EN 1366-3 ETA 130993	EI 120 (EN 13501-2) EI 120 (ETAG 026-2)
Switzerland	AEA1	EI 90
Singapore	PSB TUV EN 1366-3	EI 120
America	ASTM E814/ UL1479	F Rating – 4Hr i.e. E240

Note: the differences in ratings are explained by the differences in the protocols used in different standards